

1-132 Quarter-Turn with Wing Pr20.1 L18/40

Hand operable with wing handle, IP65, Padlockable, Optional pre-assembly

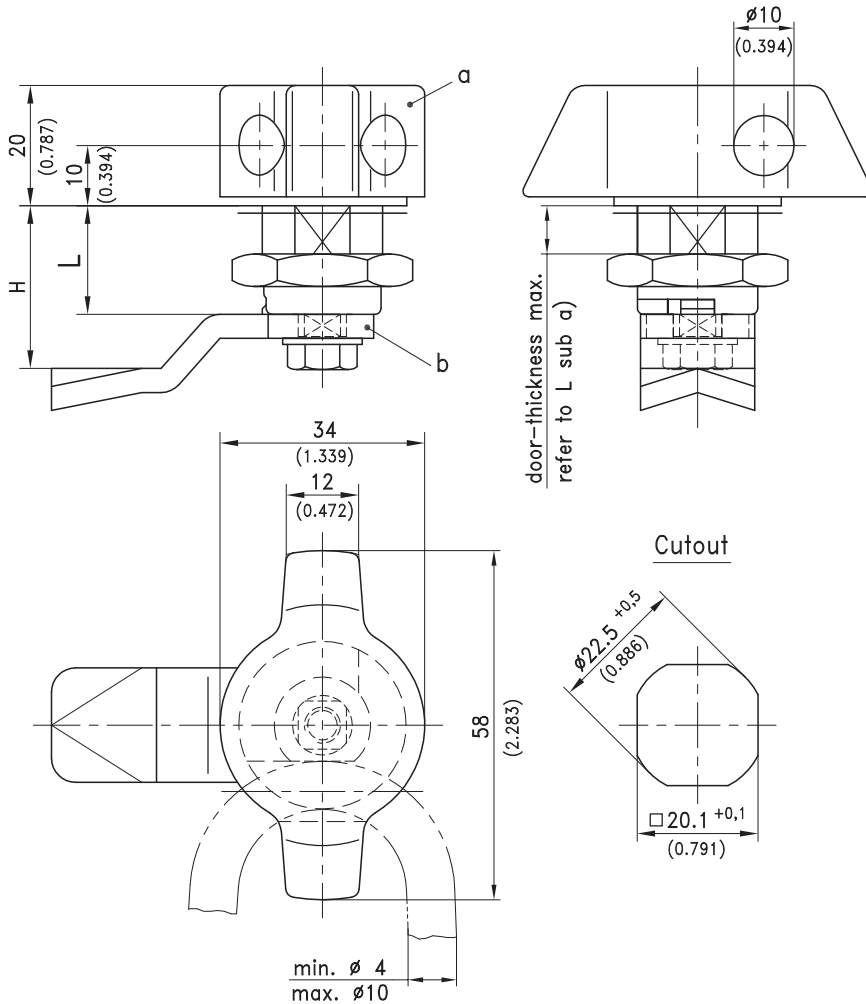
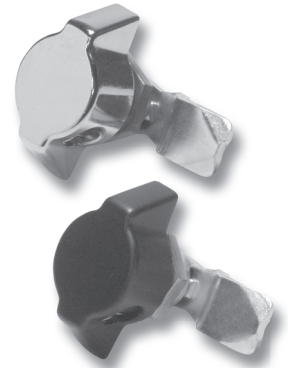


Product Notes:

- Water and dust tight according to IP65, DIN EN 60529
- Pre-assembled Quarter-Turn can be installed in cutout
- RH and LH application
- Stainless steel - see Product System 7-085

Material:

- **Wing handle:** Zinc Die, Chrome Plated or Black
- **Housing:** Zinc Die, Zinc Plated
- **Cam:** Steel, Zinc Plated



a) Quarter-turn with T-handle with plain grounding nut	Chrome Plated	E-coated Black	Textured Powder Black	See Page
L = 18 (door thickness max. 8mm)	200-9364	200-9365	200-9365.TX	
L = 40 (door thickness max. 30mm)	100-9310	100-9311	100-9311.TX	
b) One two or three point cam				01.101, 01.102
Optional:				
c) Assembling cam 90° to handle without O-ring	200-0019	200-0019	200-0019	
Assembling cam for left door	200-0020	200-0020	200-0020	
Stainless steel version				01.58